

**Lightweight  
38 kg only!**

# Stair- mobile

## TR-93

- ➔ Climbs up to 40°!
- ➔ Load weight 130 (160) kg
- ➔ Weight complete 38 kg
- ➔ Self-stabilizing run in one line for more comfort and safety
- ➔ Simple using
- ➔ Beautiful design in light metal and dismantable for transport into car boots
- ➔ Automatic drive rolls for easy turning on landings
- ➔ Fast fixation universally adjustable for any wheelchair

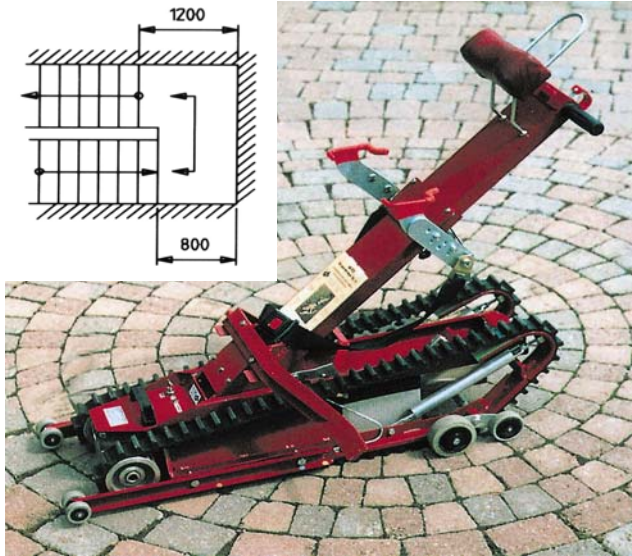
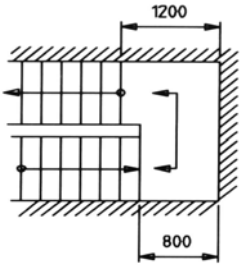


**Optimally safe transport of wheelchair users up and down on any straight stairs with battery operation.**


Universally applicable to all standard wheelchairs with big back wheels and solid backrests of widths from 33 - 52 cm approx.

Options:  
Carrier platform.  
Individual adaptations for care wheelchairs etc.

Minimal landing dimension:



### Technical Data:

Load capacity	130 kg 160 kg (optional)	
Weight complete	38 kg	
Drive system	Electromotor 700 W wormgearing self-locking	
Speed	8-13 cm/s	
Battery	Dryfit-type 12 V / 24 Ah	
Charger	2 A (regulated)	
Operating range	10 - 15 flights of stairs up and down	
Operation	by one trained person	

Made in Germany by:  
**PETER AUER GMBH**  
Friedhofstr. 12  
P.O.Box 1150  
D-78262 GAILINGEN  
Phone +49 7734 2819  
Fax +49 7734 6002  
info@auer-gmbh.de  
www.auer-gmbh.de